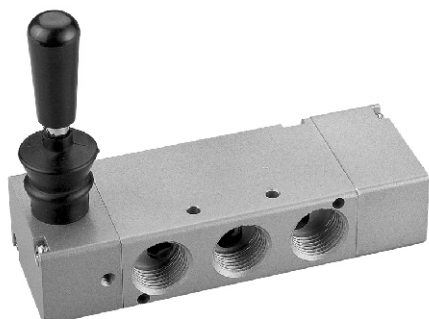


MVHB-500 series

HAND VALVE



Specification:

Model	MVHB-500(V)-4TV	MVHB-500(V)-4TV*
	MVHB-500(V)-4TV-SP	MVHB-500(V)-4TV*-SP
Bore No.	15A	
Port size	PT 1/2	
No. of port	5	
No. of position	2	3
Medium	Air	
Operating pressure range	0~12 kgf/cm ²	
Effective orifice	41 mm ²	
Ambient temperature	-5~+60°C (No freezing)	
Weight	519 g	560 g

Order example:

MVHB - 500V - 4TVC - SP - BSP

MODEL

BODY WIDTH

4way

VALVE TYPE

SPRING RETURN

PORT THREAD

Blank: Standard type
V: Vertical type

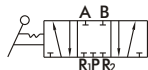
Blank: 5/2
C: Close center (5/3)
P: Pressure center (5/3)
R: Exhaust center (5/3)

Blank: PT thread
BSP: BSP thread
NPT: NPT thread

MVHB-500-4TV



MVHB-500-4TVC



MVHB-500-4TVP



MVHB-500-4TVR



MVHB-500-4TV-SP



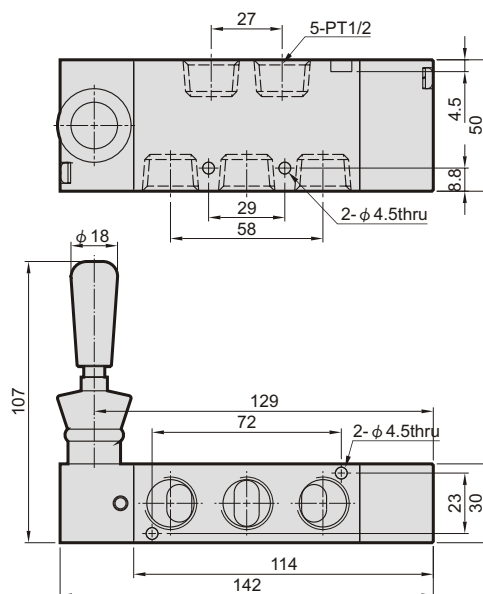
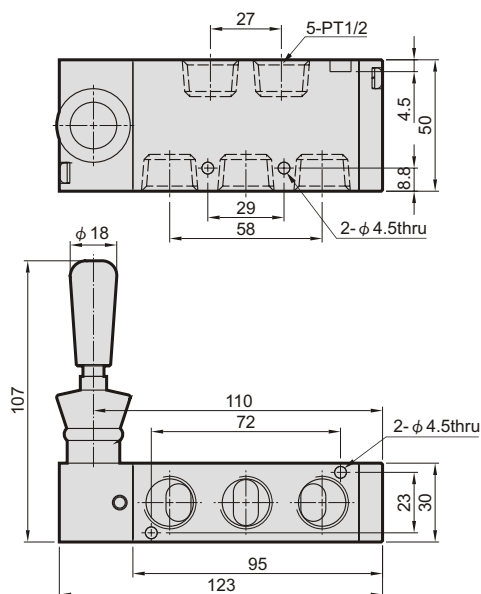
MVHB-500-4TVC-SP



MVHB-500-4TVP-SP



MVHB-500-4TVR-SP

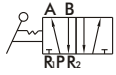


MVHB-500

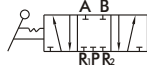
HAND VALVE



MVHB-500V-4TV



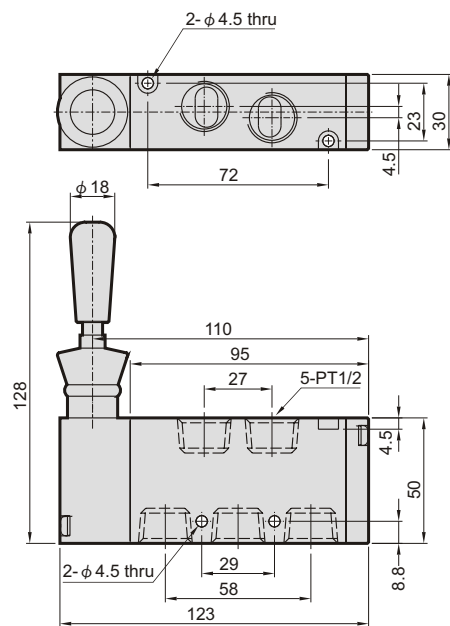
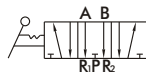
MVHB-500V-4TVC



MVHB-500V-4TVP



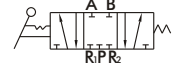
MVHB-500V-4TVR



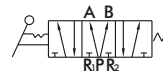
MVHB-500V-4TV-SP



MVHB-500V-4TVC-SP



MVHB-500V-4TVP-SP



MVHB-500V-4TVR-SP

